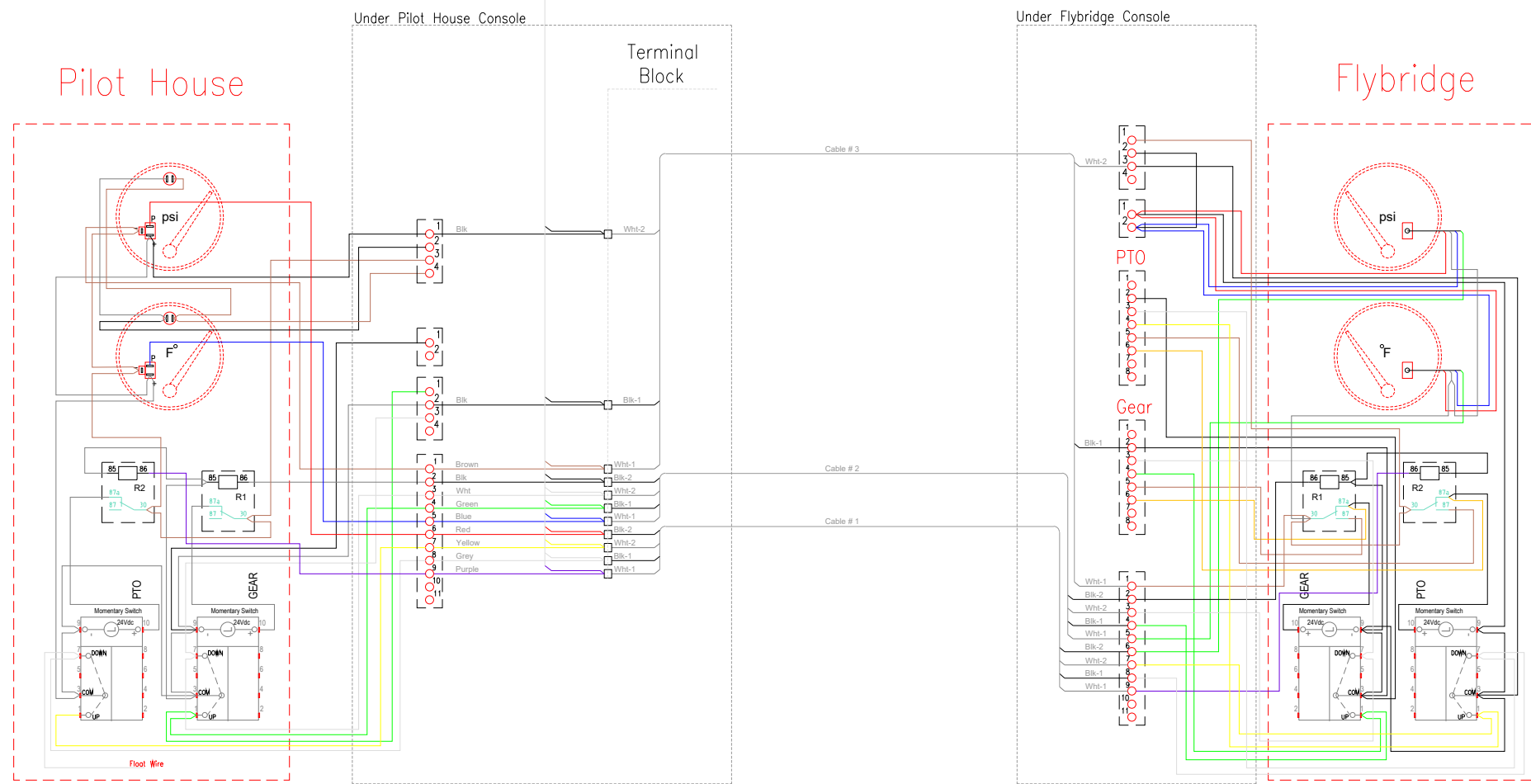


From: Main Engine Harness ▷



| | | | |
|---------------|---------------------------------|------------------------|----------------------|
| PROJECT NAME: | M/Y SALTY DUCK | PANEL: - | PAGE No.: 5 of 5 |
| TITLE: | GEAR & PTO SCHEMATIC DIAGRAM | DRAWING No.: OG-SD-005 | DRWN By.: W.M.D |
| | | REFERENCE No.: - | DATE.DRWN.: 04-04-25 |
| | | REVISION: | DATE.REV.: 4/4/2025 |
| | | | APPROVED BY.: A.JUEL |